

Venetian Blind

New Ceramy

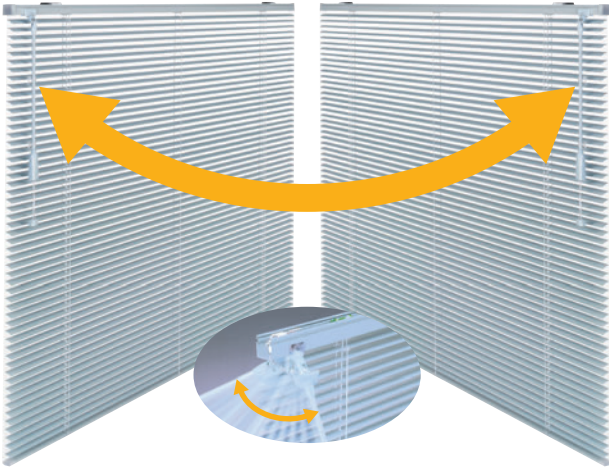


- New Ceramy offers open-and-close and tilting operations with a one-control pipe.
- The pipe can be easily switched from one side to the other.
- Fine ceramic parts inside Stopper enhance cord durability significantly.

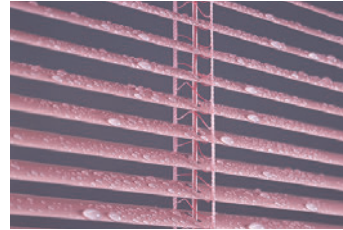
New Ceramy

New Ceramy's Unique Features

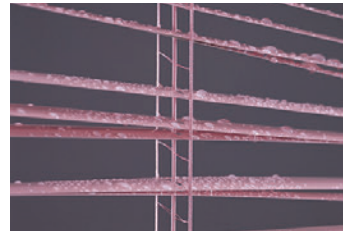
The reversible one-control pipe can be switched from one side to the other at the site only with a screw driver.



Double Ladder Cords prevent slats from sticking to each other in high humidity.
This makes it smooth to operate.



With double Ladder Cords



With ordinary Ladder Cords

Brake Spring inside Pipe Set can mitigate the free fall of the blind.

Control the speed by holding the grip of the Pipe when lowering the blind.



*Do not slam down the grip. Brake Spring may not work properly.

As long as you reach the grip, Universal Joint of the Pipe provides an easy operation even from different angles.

Easy Snap Brackets save installation time and energy.



The brackets have a temporary-hung hook for adjusting the head rail and a pad for a slip protection.

Brackets can be fitted anywhere on the Head Rail.





Its aluminum head rail has great resistance to continual dampness.

The edges of the Head Rail block the view from outside for privacy.



Reinforced Lift Cord.

Special-weaving and heat-processing cord secures greater durability.



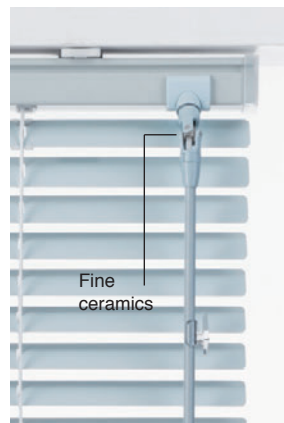
Click mechanism signals a secure stop.

This mechanism keeps slats in a completely closed position. The click sound tells you that blind has been firmly closed, keeping the blind from opening over time.

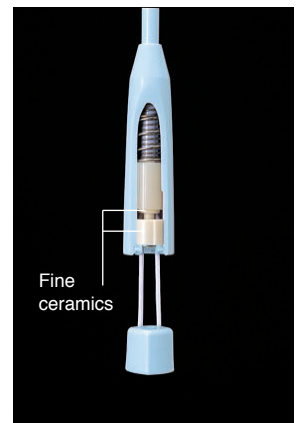


Fine ceramics for both the universal joint and the grip of the Pipe Set.

This reduces cord friction and gives excellent durability.



Universal Joint



Grip

Fine height tuning is possible without any tools.

This makes it possible to prevent the Bottom Rail from hitting the floor when lowering the blind.

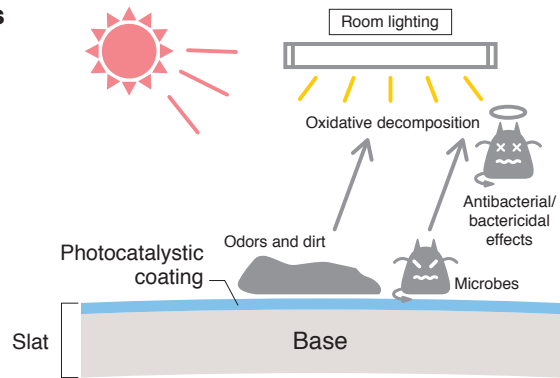
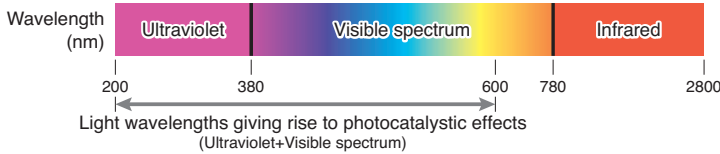


Cord Tassel features a twist-prevention mechanism that eliminates friction when lowering or lifting the blind.



Photocatalysis Slats

Photocatalyst Slats use ultraviolet and visible light energies in sunlight and fluorescent light and kill bacteria and other organic substances and eliminate odors.



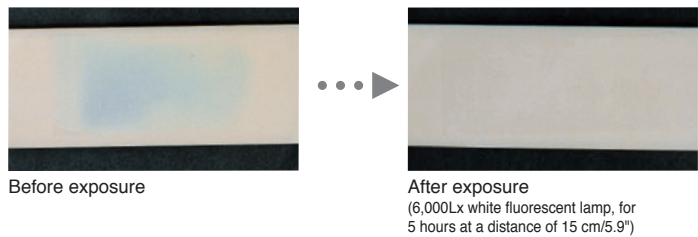
This product employs the V-CAT visible-light photocatalyst developed by Toyota Central R&D Labs.



Grime-resistance

Oxidatively decomposes grease and other organic substances!

Oxidative decomposition of grease, tobacco stains, and other organic substances that accumulate on slats. Photocatalysis Slats resist dirt and are easy to clean.



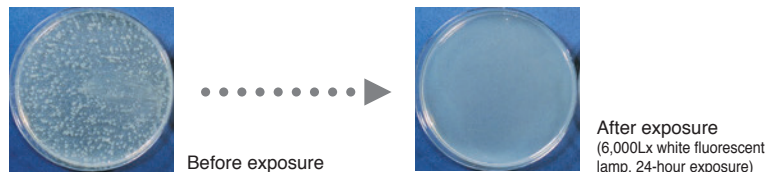
Anti-Bacterial Effect

Powerful oxidative decomposition of microbes for easy maintenance

Oxidative decomposition of coliforms and other microbes that can proliferate on slat.

Coliforms

	White fluorescent lamp exposure	
	Photocatalysis slat	Unprocessed slat
Bacteria count immediately after transplant	190,000	190,000
Bacteria count 24 hours later	10 or fewer	17,000,000

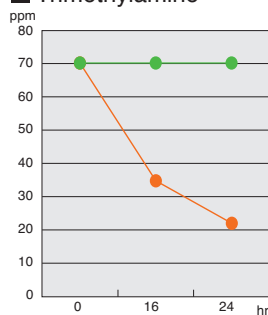


Odor Elimination

Oxidatively decomposes odor sources to prevent odors from taking hold!

Oxidative decomposition of the odor of food, cigarettes and pets in addition to that of formaldehyde (a cause of sick house syndrome) for pleasant air.

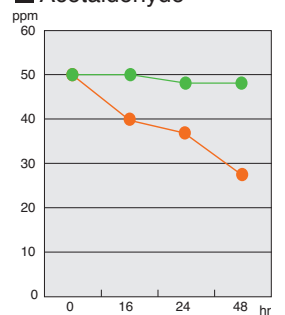
Trimethylamine



Formaldehyde



Acetaldehyde

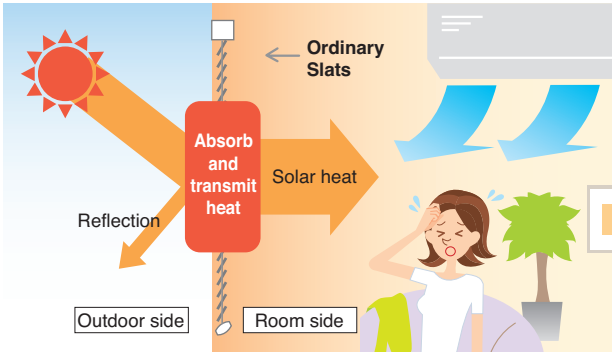


Insulation Slats

Approximately 50% of solar heat come from infrared light. Thermal barrier coating on the slats reflects infrared light to minimize solar heat.

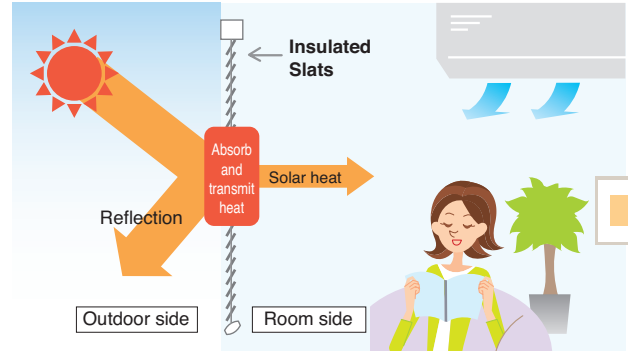
Ordinary Slats

Ordinary slats absorb infrared light, which results in bringing in solar heat.

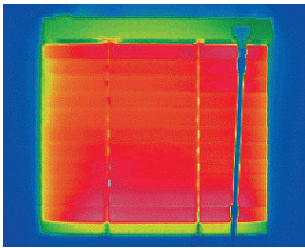


Insulated Slats

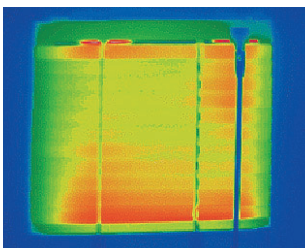
Insulated slats reflect infrared light, reducing the influx of solar heat for energy saving and comfort.



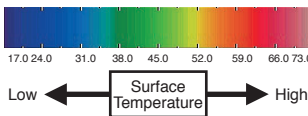
Blind surface (room side) thermography



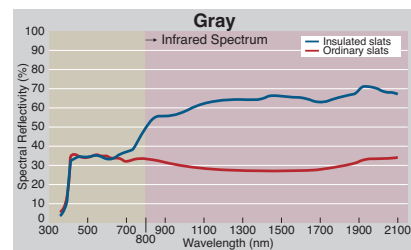
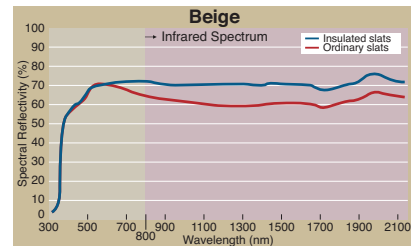
Ordinary slats TB-838
Ordinary slats have absorbed and transmitted heat.



Insulated slats TB-094
Insulated slats have reflected infrared light far more than ordinary slats, which helps reduce the influx of solar heat.



Infrared Light Reflective Efficiency (Spectral Reflectivity)

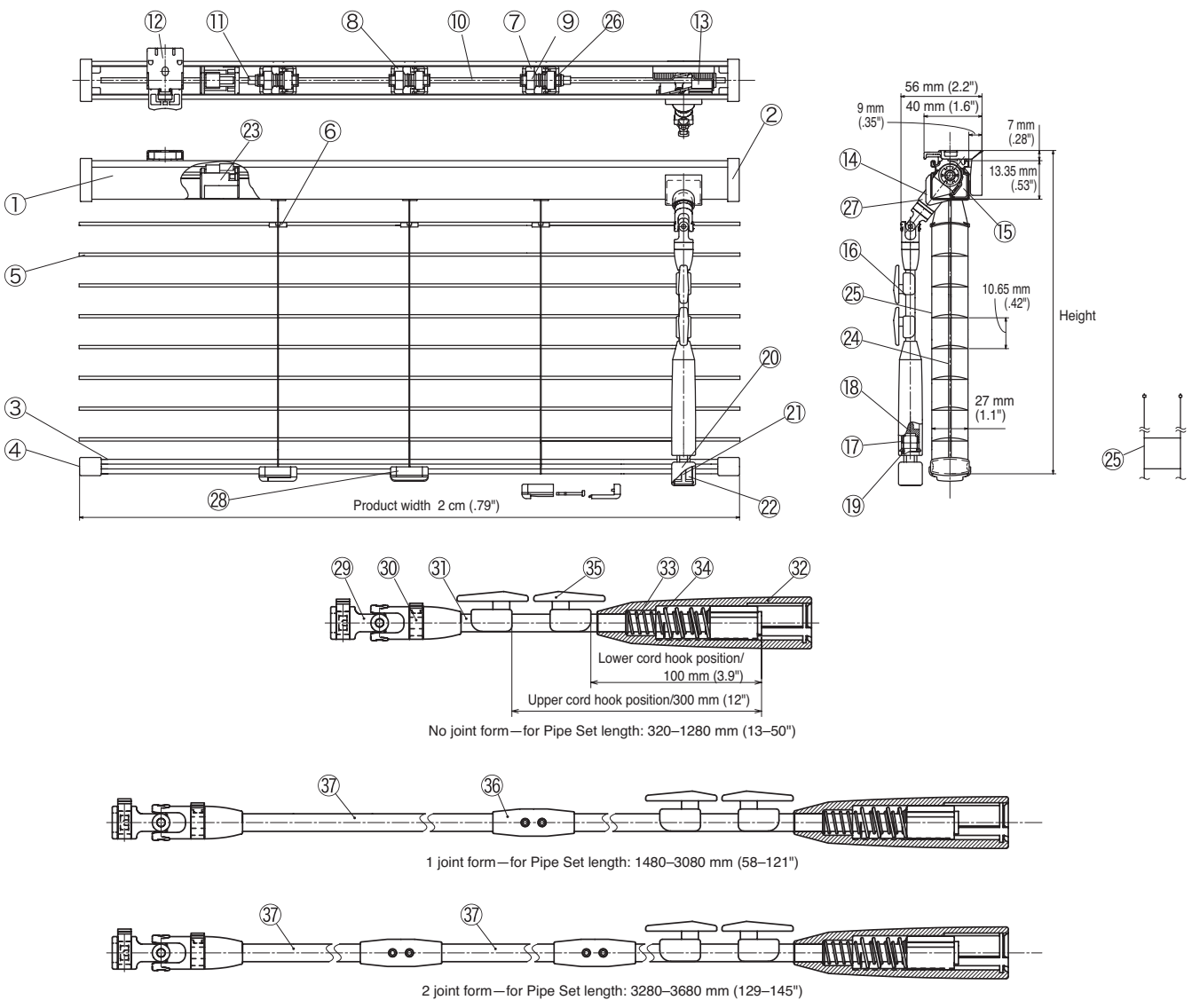


Infrared Light Reflectance
*Infrared Spectrum (800 nm–2100 nm)

	Beige		Gray	
Ordinary slats	TB-642	61.6%	TB-838	30.1%
Insulated slats	TB-087	70.6%	TB-094	59.6%

Source: internal test data

Structure Drawing



Components and Materials

Main body

No.	Components	Material
①	Head Rail AL	Aluminum alloy
②	Head Cap AL	Molded resin
③	Bottom Rail	Steel, Aluminum alloy
④	Bottom Cap	Molded resin
⑤	Slat	Aluminum alloy
⑥	Slat Clip	Molded resin
⑦	Tilter Holder with Pulley	Molded resin
⑧	Tilter Holder without Pulley	Molded resin
⑨	Tilter	Molded resin
⑩	Shaft	Steel, Stainless steel
⑪	Shaft Stop	Rubber
⑫	Easy Snap Bracket	Steel, Stainless steel, Molded resin
⑬	Gear Box	Molded resin, Steel, Stainless steel, Brass

No.	Components	Material
⑭	Gear Box Cover AL	Molded resin
⑮	Gear Spacer ST	Molded resin
⑯	Pipe Set	—
⑰	Brake Spring	Stainless steel
⑱	Cord Lock	Ceramic
⑲	Snap Ring	Molded resin
⑳	Cord Tassel Outer	Molded resin
㉑	Cord Tassel Inner	Molded resin
㉒	Cord Tassel Bush	Molded resin
㉓	Click	Molded resin
㉔	Lift Cord	Chemical fiber
㉕	Ladder Cord	Chemical fiber
㉖	Brake Spacer	Molded resin
㉗	Sleeve Cover ST	Molded resin
㉘	Bottom Cover	Molded resin

Pipe Set

No.	Components	Material
㉙	Universal Joint	Molded resin
㉚	Lock Belt	Molded resin
㉛	Pipe	Aluminum alloy
㉜	Grip	Molded resin
㉝	Return Spring	Stainless steel
㉞	Sub Return Spring	Stainless steel
㉟	Cord Hook	Molded resin
㊱	Pipe Splice	Steel
㊲	Extension Pipe	Brass

Allowable Size

Products	Product Width	Product Height	Maximum Area
New Ceramy 15	280–2500 mm (11–98")	110–2500 mm (4.3–98")	5 m ² (6.0 yd ²)
New Ceramy 25	280–3000 mm (11–118")	110–5000 mm (4.3–197")	7 m ² (8.4 yd ²)
New Ceramy 15 (for bath room)	280–2500 mm (11–98")	110–2500 mm (4.3–98")	5 m ² (6.0 yd ²)
New Ceramy 25 (for bath room)	280–3000 mm (11–118")	110–5000 mm (4.3–197")	7 m ² (8.4 yd ²)

Product Weight

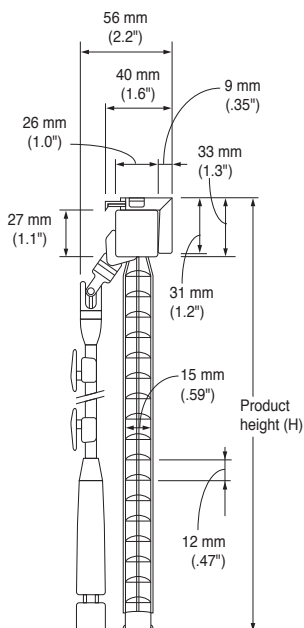
Products	Width x Height	Weight
New Ceramy 15	1000 mm (39") x 1000 mm (39")	→ 1.5 kg (3.3 lb)
	2000 mm (79") x 2000 mm (79")	→ 4.3 kg (9.5 lb)
New Ceramy 25	1000 mm (39") x 1000 mm (39")	→ 1.3 kg (2.9 lb)
	2000 mm (79") x 2000 mm (79")	→ 3.7 kg (8.2 lb)
New Ceramy 15 (for bath room)	1000 mm (39") x 1000 mm (39")	→ 1.7 kg (3.7 lb)
	2000 mm (79") x 2000 mm (79")	→ 4.8 kg (10.6 lb)
New Ceramy 25 (for bath room)	1000 mm (39") x 1000 mm (39")	→ 1.5 kg (3.3 lb)
	2000 mm (79") x 2000 mm (79")	→ 4.1 kg (9.0 lb)

Stack-up Guide

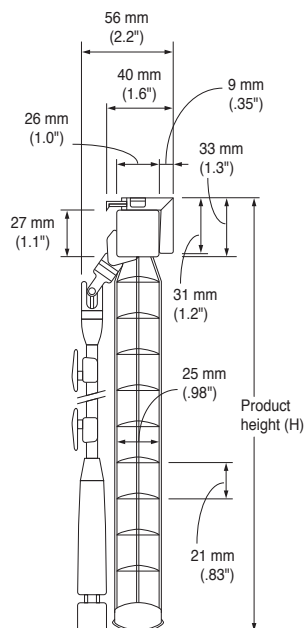
Products	Folded Width
New Ceramy 15	Product length x 0.025 + 50 mm (2.0")
New Ceramy 25	Product length x 0.028 + 50 mm (2.0")
New Ceramy 15 (for bath room)	Product length x 0.040 + 50 mm (2.0")
New Ceramy 25 (for bath room)	Product length x 0.030 + 50 mm (2.0")

Dimension of Product

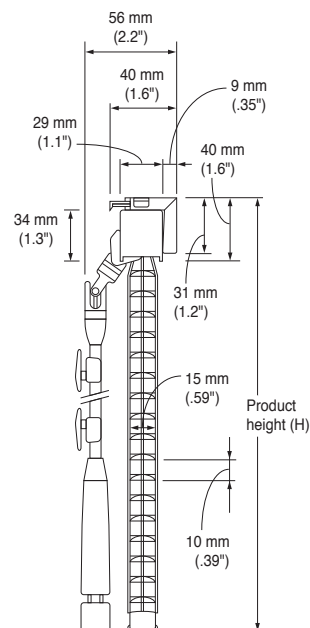
New Ceramy 15



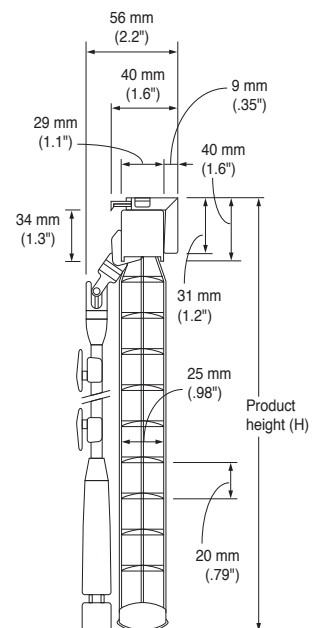
New Ceramy 25



New Ceramy 15
(for bath room)



New Ceramy 25
(for bath room)



New Ceramy

Slat Color List

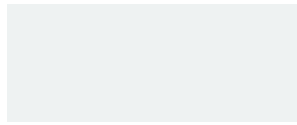
Photocatalysis Slats



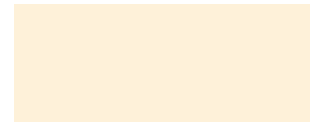
TB-121H



TB-117H



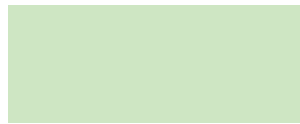
TB-832H



TB-601H



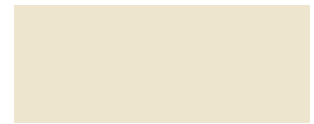
TB-104H



TB-705H



TB-119H



TB-644H



TB-101H



TB-118H



TB-124H



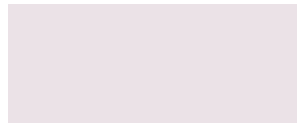
TB-642H



TB-612H



TB-125H



TB-632H



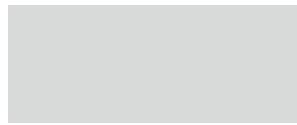
TB-610H



TB-144H



TB-802H

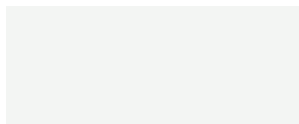


TB-834H

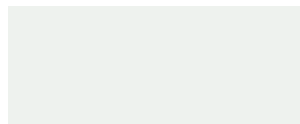


TB-804H

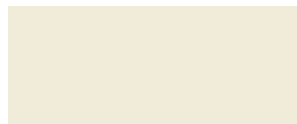
Insulation Slats



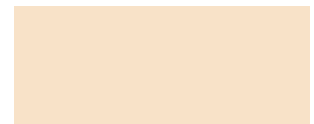
TB-090



TB-092



TB-088



TB-083



TB-093



TB-089



TB-087



TB-085



TB-094



TB-091



TB-086



TB-084



TB-095



TB-081

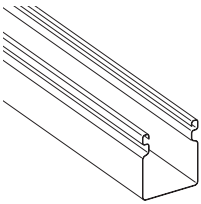
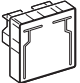
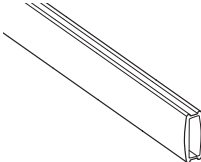
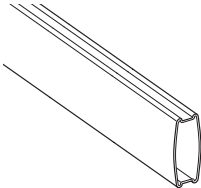






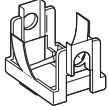
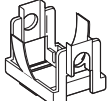


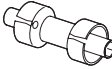

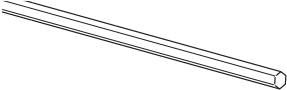
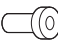
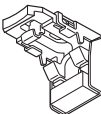
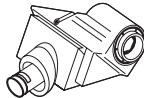

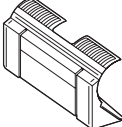
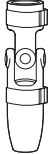

TB-082


*Color variation might change without a previous notice.

*Color depicted here may differ slightly from actual colors due to printing limitations.

New Ceramy Parts

Product Name	Product Code	Product Code
	TB-642	61500056
	TB-804	61500064
	TB-832	61500065
	TB-842	61500060
		60680081
	TB-642	61230034
	TB-804	61230036
	TB-832	61230037
	TB-842	61230039
	TB-642	61280029
	TB-804	61280031
	TB-832	61280032
	TB-842	61280038
		53110004
		64350004
		00750117
		00750119
		64520002
		64930004
		00750227
		00750226

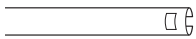




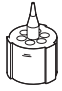

Product Name	Product Code	Product Code
		00750228
		00750229
		53050005
		00750215
		00750274
		00750216
	TB-642	00750222
	TB-804	00750223
	TB-832	00750224
	TB-842	00750225
		00750221
	TB-642	00750284
	TB-804	00750285
	TB-832	00750286
	TB-842	00750287
	TB-642	00750217
	TB-804	00750218
	TB-832	00750219
	TB-842	00750220

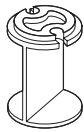
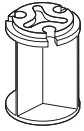
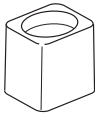

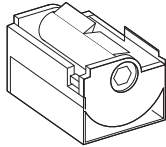
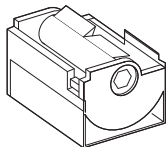
Product Name	Product Code	Product Code
	TB-642	225 mm (8.9") 00750230
		385 mm (15") 00750234
		585 mm (23") 00750238
		785 mm (31") 00750242
		985 mm (39") 00750246
		1185 mm (47") 00750250
		1385 mm (55") 00750254
		1585 mm (62") 00750258
		1800 mm (71") 00750262
	TB-804	
		385 mm (15") 00750235
		585 mm (23") 00750239
		785 mm (31") 00750243
		985 mm (39") 00750247
		1185 mm (47") 00750251
TB-832		1385 mm (55") 00750255
		1585 mm (62") 00750259
		1800 mm (71") 00750263
		225 mm (8.9") 00750232
		385 mm (15") 00750236
		585 mm (23") 00750240
TB-842		785 mm (31") 00750244
		985 mm (39") 00750248
		1185 mm (47") 00750252
		1385 mm (55") 00750256
		1585 mm (62") 00750260
		1800 mm (71") 00750264
TB-842		225 mm (8.9") 00750233
		385 mm (15") 00750237
		585 mm (23") 00750241
		785 mm (31") 00750245
		985 mm (39") 00750249
		1185 mm (47") 00750253
	1385 mm (55") 00750257	
	1585 mm (62") 00750261	
	1800 mm (71") 00750265	


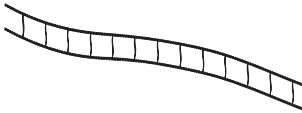
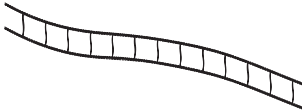
Typical Color of Slat



*Color depicted here may differ slightly from actual colors due to printing limitations.
 *For more details about color variation, please contact our local agent.

Product Name	Product Code	
NC Extension Pipe 1800 mm 	TB-642	00750293
	TB-804	00750294
	TB-832	00750295
	TB-842	00750296
NC Pipe Splice 	TB-642	00750288
	TB-804	00750289
	TB-832	00750290
	TB-842	00750291
NC Pipe Splice Screw 		00750292
NC Cord Hook 		00750144
NC Brake Spring 		00750268
NC Cord Lock 		00750266
NC Snap Ring 		00750267

Product Name	Product Code	
NC Cord Tassel Inner 2 		00750116
NC Cord Tassel Inner 3 		00750115
NC Cord Tassel Outer 	TB-642	00750269
	TB-804	00750270
	TB-832	00750271
	TB-842	00750272
NC Cord Tassel Bush 		00750273
NC-15 Click 		00750280
NC-25 Click 		00750276

Product Name	Product Code
NC Lift Cord 1.6 mm DIA. White 	64570022
NC-15 Ladder Cord White 	52850012
NC-25 Ladder Cord White 	60920066