

## Your solution for an oil-free kitchen

Cooking with oil means delicious meals for your family but an oily kitchen as well. Unless you have the Oil Tech cooker hood that is.

This state-of-the-art, super-sleek hood features patented Oil Smasher technology. An internal high-speed spinning disk captures the oil to stop build-up on your kitchen surfaces. The innovative cleaning reminder alarm lets you know when it's time to clean the disk. Simply remove, wash easily and replace as new. Your kitchen has never felt so clean.



# HOOD/ FR-CL1890

OIL SMASHER Cooker Hood



オイルスマッシャーで、  
油に強いキッチンへ。



\*3 years warranty for motor • 1 year warranty for other parts  
Warranty Terms and Conditions apply

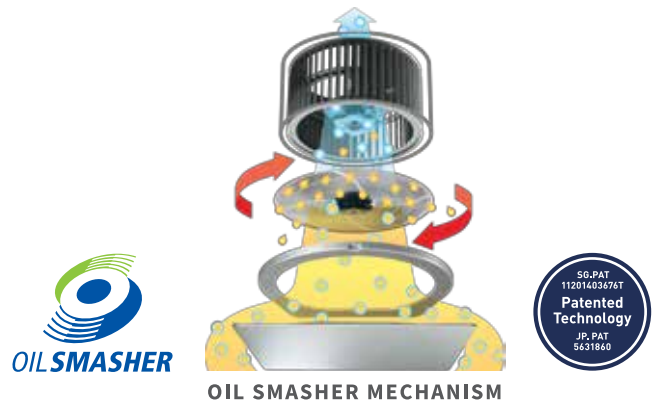
# -FUJIOH-

## REDUCES OIL BUILD UP ON FAN AND EASY CLEANING

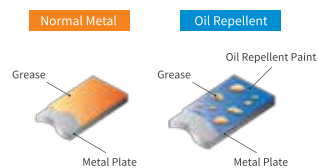


### 01/ High-speed Spinning Disk

Patented OIL SMASHER High-speed Spinning Disk keeps oil out. The disk spins and catches most of the oil in fumes. The oil on the disk spun off by centrifugal force and collects in the oil tray.



### 02/ Easy to clean



The material repels oil and lifts it from the surface so it's easy to wipe up. Cleaning takes much less time and effort compared to conventional materials.

Oil gets lifted from the surface by water thanks to the hydrophilic coat. That's what makes the disk so easy to clean.

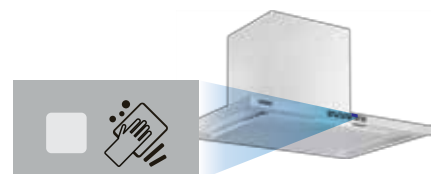


### 03/ Cleaning Reminder Feature

Reminds you when it's time to clean, so you'll never forget.

Cleaning lamp lights up accordingly to the total running time of the cooker hood.

\*Items to clean: Parts that can be removed and cleaned (oil tray & disk)  
\*Time when running for 24 hour mode does not count  
\*Wipe off the rectifier panel and oil panel in normal daily care



## COLORS



SV/ Silver Metallic



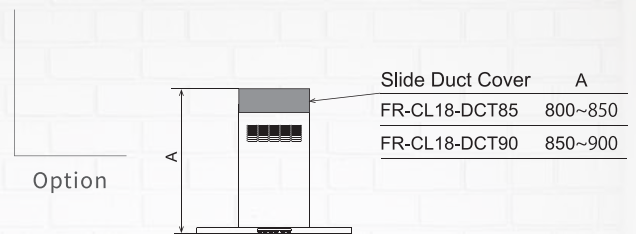
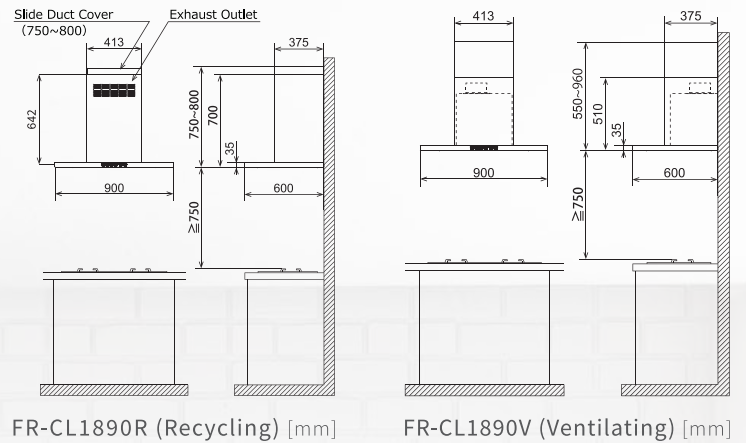
W/ White



RS/ Rich Silver

\*Product images are for illustrative purposes only and may differ from the actual product.

## INSTALLATIONS



## SPECIFICATIONS

Type	FR-CL1890R (RECYCLING)	FR-CL1890V (VENTILATING)
Dimensions [mm]	W900 x D600 x H750~800	W900 x D600 x H550~960
Weight [kg]	31	28
Power Consumption [W] (220/230/240V)	94/94/94	62/62/62
Voltage [V/Hz]	220, 230, 240/50	
Duct Diameter [mm]	Φ150	
Air Flow [m <sup>3</sup> /h] (220/230/240V)	420/420/420	420/420/420
Sound Level [dB] (220/230/240V)	54/54/54	46/46/46
Oil Capturing Ratio [%]	94	91
Switch	Electronic Soft Touch	
Speed	3 Speed & Boost mode & 24 hour mode	
Hood Body	Oil repellent paint	
Rectifier Panel	Oil repellent paint	
Rotary Disk	Stainless Steel with Hydrophillic Coating	
Oil Tray	Oil repellent paint	
Motor	DC Motor	
Lighting	LED 3.5W x 1	
Timer	3/15/30 min & Cleaning Lamp Function	

\*All specification are based on stringent in-house test results conducted in Fuji Industrial Co. Ltd, Japan

